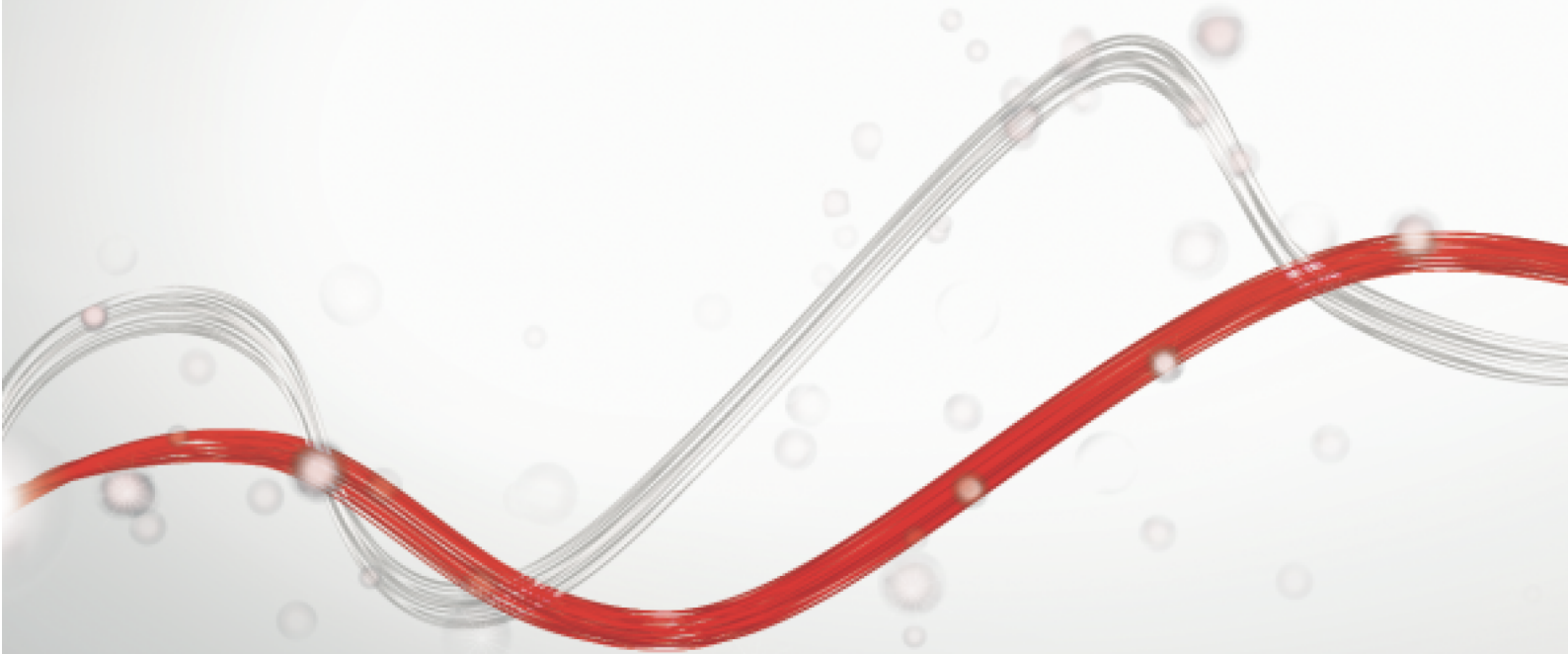




Be ahead

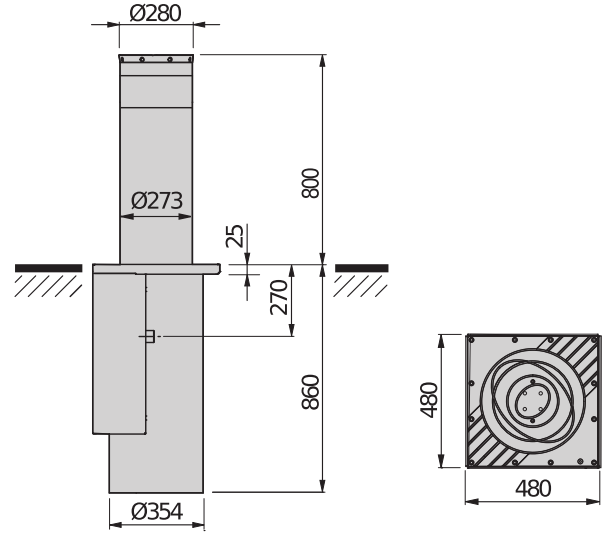
PILLAR B 275/800.10C



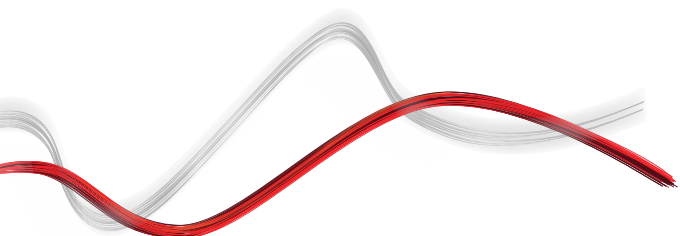


PILLAR B 275/800.10C

Anti-Terrorism bollards



High strength automatic hydraulic bollard with built-in hydraulic control unit, tested and certified by an independent organisation in accordance with PAS68:2010 with 7500/50/N2 rating that includes ASTM F2656:2007 M30 (dynamic simulation). 5D version which keeps the bollard raised in the event of a loss of power (protection of sensitive sites). Standard version where the bollard instantly drops in the event of a loss of power.





PILLAR B 275/800.10C

Anti-Terrorism bollards

PILLAR B 275/800.10C

Code	Ci	Name	Description
P970106 00001	2601342	PILLAR B 275/800.10C L	230 V hydraulic bollard, shaft height 800 mm and diameter 273 mm. In the event of a power cut, the bollard lowers automatically. Painted stainless steel version, RAL 7015. Foundation box included. LED light cap.
P970106 00302	2601344	PILLAR B 275/800.10C LI STAINLESS STEEL 316	230 V hydraulic bollard, shaft height 800 mm and diameter 273 mm. In the event of a power cut, the bollard lowers automatically. Foundation box included. LED light cap. AISI 304 stainless steel version.
P970106 00003	2601343	PILLAR B 275/800.10C L SD	Hydraulic bollard 230 V, shaft height 800 mm and diameter 273 mm. LED light cap and H adhesive strip: 100 mm approved. The shaft stays raised in case of a power failure. RAL 7015 painted steel version. LED light cap. Security & Device version.
P970106 00304	2612951	PILLAR B 275/800.10C LI SD STAINLESS STEEL 316	230 V hydraulic bollard, shaft height 800 mm and diameter 273 mm. LED light cap and adhesive H strip: 100 mm, approved. In the event of a power cut, the bollard remains raised. 304 stainless steel version. Foundation box included. LED light cap. Security & Device version. AISI 316L stainless steel version.

PERSEO CBE 230.P SD: Control unit with built-in U-Link, receiver and heating circuit (up to -40°C) for electromechanical and hydraulic bollards. You can manage up to 4 bollards at the same time (maximum 1 XPASS 330/1200 or 2 XPASS B 275/800 EFO)



Cp D113812 00002 - Ci 2600139 - PERSEO CBE 230.P SD - Recommended



- Control unit with built-in U-Link, receiver and heating circuit (up to -40°C) for electromechanical and hydraulic bollards. You can manage up to 4 bollards at the same time (maximum 1 XPASS 330/1200 or 2 XPASS B 275/800 EFO)
- Application: Control panel for operating 1 to 4 automatic bollards, single-phase (in parallel) (maximum 1 XPASS 330/1200 or 2 XPASS B 275/800 EFO)
- Board power supply: 230V single phase
- Output power: 230Vac single-phase, 12A max.
- Main features: removable terminal blocks, digital programming, 3-digit display, Proxima programmer connector, dual-channel receiver 2048 codes included, heater for operation to -40°C, complete support for anti-terrorism bollards, 11 inputs, 9 outputs.
- Main features: U-Link interconnectivity, automatic reclosing, separate open and close, pre-flashing, deadman control, automatic or semi-automatic, opening and closing limit switch management, arranged for UPS.

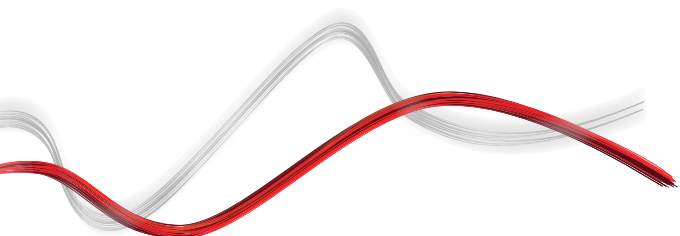
	PILLAR B 275/800.10C L	PILLAR B 275/800.10C LI STAINLESS STEEL 316	PILLAR B 275/800.10C L SD	PILLAR B 275/800.10C LI SD STAINLESS STEEL 316
Raise time	6,8 s	6,8 s	6,8 s	6,8 s
Lower time	4,1 s	4,1 s	4,1 s	4,1 s
Rod height	800 mm	800 mm	800 mm	800 mm
Rod diameter	273 mm	273 mm	273 mm	273 mm
Rod thickness	10 mm	10 mm	10 mm	10 mm
Power supply	230 V	230 V	230 V	230 V
Control unit	PERSEO CBE	PERSEO CBE	PERSEO CBE	PERSEO CBE
Impact resistance	40000 J	40000 J	40000 J	20000 J
Break-in proof	667000 J	667000 J	667000 J	667000 J
Antiterrorism: reference standard	PAS 68:2010 7500/50/N2	PAS 68:2010 7500/50/N2	PAS 68:2010 7500/50/N2	PAS 68:2010 7500/50/N2
Manual cycle	reversible in the absence of voltage	reversible in the absence of voltage	Release key	Release key
Frequency of use	3000 Op/gg	3000 Op/gg	3000 Op/gg	3000 Op/gg
Type of limit switch	REED magnetic sensor	REED magnetic sensor	REED magnetic sensor	REED magnetic sensor
Rod treatment	RAL7015 cathaphoresis coating and paint	AISI 316L stainless steel	RAL7015 cathaphoresis coating and paint	AISI 316L stainless steel
Environmental conditions	-40 ÷ 60 °C	-40 ÷ 60 °C	-40 ÷ 60 °C	-40 ÷ 60 °C
Protection rating	IP67	IP67	IP67	IP67



Anti-Terrorism bollards

RECOMMENDED ACCESSORIES

	<p>Cp P800114 - Ci 2605291 BOLLARD CABLE EXT25</p> <p>Extra charge for 25 m cable for bollards (to be added to the 10 included into bollards)</p>				
--	--	--	--	--	--





Anti-Terrorism bollards

EasyAXS

EASY CONNECT. EASY ACCESS.



The new connectivity solution which boosts the potential of BFT products and services to make access automations smarter and easier to use for both installers and end users.

1



EASY TO CONNECT



PLUG&PLAY
CONNECTIVITY MODULE
FOR QUICKLY CONNECTING
BFT SOLUTIONS



2

EASY TO SET UP



CONFIGURATION
AND
MANAGEMENT OF
THE MOTOR WITH
THE **EasyAXS app**

3

EASY TO CONTROL



TaHoma app
TO PROVIDE CUSTOMERS
WITH A SMART SOLUTION
FOR ACCESSING THEIR
HOMES





Anti-Terrorism bollards

EASY TO CONNECT

WIFI MODULE



→ 10/15 metres

WIFI MODULE + ANTENNA



→ 20/25 metres

MOBILE MODULE + ANTENNA + SIM



→ ∞



**PLUG&PLAY
INSTALLATION**



**ALWAYS
CONNECTED**



**EVEN MORE
CONNECTIVITY**



**EASY TO SET UP
FOR INSTALLERS**



**EASY TO CONTROL
FOR CUSTOMERS**





Anti-Terrorism bollards



U-LINK 2.0

AN UPDATED VERSION OF U-LINK TO GIVE YOU EVEN MORE FUNCTIONALITY



Scalable

You can add as many devices as you want



Intuitive

Easy to install and to use



Functional

Settings can be controlled and firmware updated remotely using dedicated applications



Practical

Works with or without an internet connection



Flexible

It allows you to create groups of interconnected products

U-Link, the exclusive **BFT** technology platform has evolved to offer improved interaction with the latest generation of technological ecosystems. Its ability to interface with all home access automation access devices has been expanded, meaning it is now a very useful tool for installers. It is also a faster communication protocol with increased security for communicating information.

It allows you to save even more time, checking everything very easily and giving you even more peace of mind.



Anti-Terrorism bollards

-SECURITY

A NEW AND EVEN MORE SECURE RADIO PROTOCOL



→ **Secure**

By transmitting data protected by a cryptographic key

U-Security is the new technology from **BFT** which incorporates encrypted rolling code thanks to the encryption key which masks the remote control code, meaning that it is impossible to clone a BFT remote control using another brand's model.

The functions of the **Er Ready** system are incorporated and a new procedure is also available for programming remote controls by scanning a QR CODE and using a special app. All products featuring this technology are **REPLAY**, so they can transmit the code to another BFT remote control using a combination of keys.



→ **Easy**

Pairing a remote control with a receiver can be done easily by scanning the QR code and using the dedicated app



→ **Universal**

The radio protocol is also compatible with the previous generation of receivers



INFORMATION REGARDING THE PROTECTION OF THE INDUSTRIAL AND INTELLECTUAL PROPERTY RIGHTS OF BFT. BFT S.p.A. protects its industrial property by depositing trademarks, patents, models and designs. The intellectual property of BFT S.p.A. is protected by copyright law. BFT S.p.A. also protects its know-how by taking measures to protect the technical and commercial information inherent in its company and products. All the products in this catalogue are ORIGINAL BFT MODELS and only BFT S.p.A. is authorised to produce them and market them anywhere in the world. All the commercial names in this catalogue are owned by BFT S.p.A., and only BFT S.p.A. is authorised to use them in relation to the corresponding merchandise category. FALSIFIERS WILL BE PROCEEDED AGAINST IN ACCORDANCE WITH BOTH CIVIL AND CRIMINAL LAW. THESE CONDITIONS NOT ONLY GUARANTEE THE INTELLECTUAL PROPERTY RIGHTS OF BFT, BUT ALSO PROTECT CUSTOMERS BY GUARANTEEING THAT THE PRODUCTS THEY ARE PURCHASING ARE ORIGINAL BFT PRODUCTS RESULTING FROM STUDIES AND DESIGNS WITHIN THE BFT COMPANY.