



Be ahead



VISTA EMERGENCY

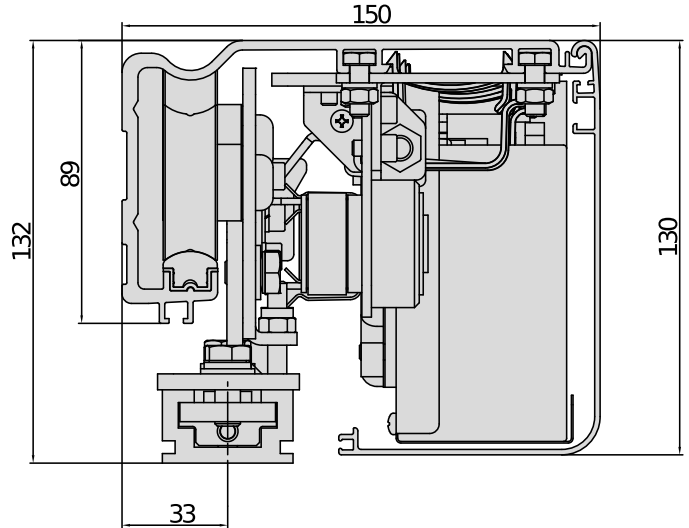




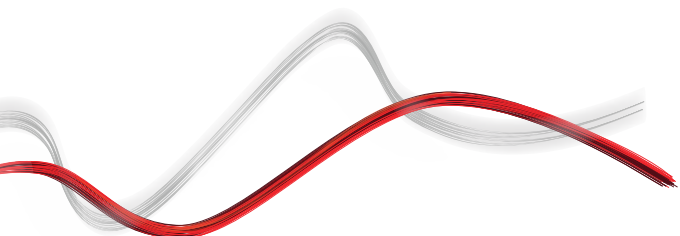
VISTA EMERGENCY



Automation systems for automatic pedestrian doors





The VISTA EMERGENCY redundancy system can be installed on escape routes and emergency exits, replacing traditional automations with sliding doors with breakout swing panels. It offers a sophisticated emergency system that enables evacuation by opening the door panels, in accordance with the requirements of European standard EN16005 - Automated Pedestrian Doors. Safety in use. The double winding brushless motor fitted to the automation means the door is very quiet when operating and is highly reliable over time with minimal maintenance. Also available in the automation kit version (MODULE KIT), to be used with the profile set and the belt.





Automation systems for automatic pedestrian doors

VISTA EMERGENCY

Code	Ci	Name	Description
		VISTA EMERGENCY 1 ANTA	 Operator for swing doors with motor-driven opening and closing. Maximum gate panel weight 140 kg. Ideal for "fail safe" installations (optional battery) Ideal for escape routes and emergency exits.
		VISTA EMERGENCY 2 ANTE	 Operator for swing doors with motor and spring closure. Maximum gate panel weight 120 kg. Ideal when the gate needs to be closed even when there is no power supply. In this case, the spring allows for manual opening and automatic mechanical closing. Ideal for escape routes and emergency exits.

	VISTA EMERGENCY 1 ANTA	VISTA EMERGENCY 2 ANTE
Leaf type	Sliding	Sliding
Clear opening	750 + 2150 mm	800 + 2900 mm
Door weight	140 kg	120 kg
Automation dimensions	130x150x6000 mm	130x150x6000 mm
Crosspiece dimensions	130x150 mm	130x150 mm
Power supply	100-240 VCA 50/60 Hz	100-240 VCA 50/60 Hz
Nominal power	70 W	70 W
Power consumption on standby	10 W	10 W
Opening speed	Max 0,8 m/sec (1 leaf)	Max 1,6 m/sec (1 leaf)
Closing speed	Max 0,8 m/sec (1 leaf)	Max 1,6 m/sec (1 leaf)
Motor type	DOUBLE WINDING BRUSHLESS	DOUBLE WINDING BRUSHLESS
Use cycle	Continuous operation	Continuous operation
Protection rating	IP20	IP20
Temperature range	-15 + 50 °C	-15 + 50 °C

RECOMMENDED ACCESSORIES

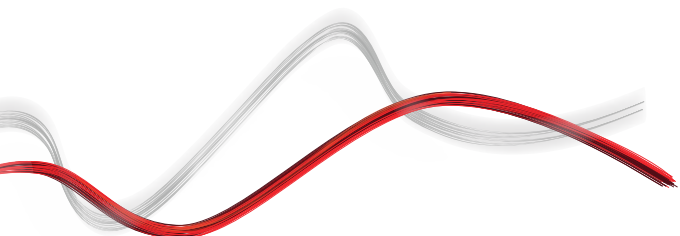
	Cp P111790 - Ci 2605172 ASW 260 XL RIG Rigid pull arm Vista SW 260 XL.		Cp P111791 - Ci 2605173 ASW 260 XL ART Articulated push arm Vista SW 260 XL.
	Cp P111792 - Ci 2605174 EXT ASW350 260 XL L=90 Arm connection L=90 mm Vista SW XL, spacer		Cp P111796 - Ci 2605178 EXT ASW350 260 XL L=110 Arm connection L=110 mm Vista SW XL, spacer
	Cp P111797 - Ci 2605179 EXT ASW350 260 XL L=130 Arm connection L=130 mm Vista SW XL, spacer		Cp P111795 - Ci 2607191 BBV SW 260 Emergency battery kit VISTA SW 260.
	Cp P111794 - Ci 2605176 ASW 260 XL ARTL. ARM PUSH LONG SW 260 Articulated push arm Vista SW 260 XL.		Cp P111793 - Ci 2605175 TSWP XL 260 PROFILES VISTA SW 260 DUAL Profiles Vista SW double, 1,5 m.
	Cp D113789 - Ci 2607504 VISTA SEL SW Function selector Vista SW		Cp P111657 00001 - Ci 2611318 4SAFE IR SAFETY SENSOR MONIT.SW/1MOD/700 Monitored IR safety sensor for side-hung leaves, 1 module, 700 mm



Automation systems for automatic pedestrian doors

RECOMMENDED ACCESSORIES

	Cp P111657 00002 - Ci 2611319 4SAFE IR SAFETY SENSOR MONIT.SW/2MOD/700 Monitored IR safety sensor for side-hung leaves, 2 modules, 700 mm		Cp P111657 00003 - Ci 2611320 4SAFE IR SAFETY SENSOR MONIT.SW/2MOD/900 Monitored IR safety sensor for side-hung leaves, 2 modules, 900 mm
	Cp P111656 - Ci 2611317 VIO-ST Infrared safety sensor, monitored		Cp P111662 - Ci 2611321 VIO-M Compact mono-directional activation sensor
	Cp P111756 - Ci 2611359 OA-EDGE T 340 1M Active infrared sensor for security L 340 mm with 1 module with safety test		Cp P111757 - Ci 2611360 OA-EDGE T 700 1M Active infrared sensor for security L 700 mm with 1 module with safety test
	Cp P111759 - Ci 2611361 OT 3 Elbow-operated pushbutton, silver		





Automation systems for automatic pedestrian doors

EasyAXS

EASY CONNECT. EASY ACCESS.



The new connectivity solution which boosts the potential of BFT products and services to make access automations smarter and easier to use for both installers and end users.





Automation systems for automatic pedestrian doors

EASY TO CONNECT

WIFI MODULE



→ 10/15 metres

WIFI MODULE + ANTENNA



→ 20/25 metres

MOBILE MODULE + ANTENNA + SIM



→ ∞



**PLUG&PLAY
INSTALLATION**



**ALWAYS
CONNECTED**



**EVEN MORE
CONNECTIVITY**



**EASY TO SET UP
FOR INSTALLERS**



**EASY TO CONTROL
FOR CUSTOMERS**





Automation systems for automatic pedestrian doors



U-LINK 2.0

AN UPDATED VERSION OF
U-LINK TO GIVE YOU EVEN
MORE FUNCTIONALITY



Scalable

You can add as many devices as you want



Intuitive

Easy to install and to use



Functional

Settings can be controlled and firmware updated remotely using dedicated applications



Practical

Works with or without an internet connection



Flexible

It allows you to create groups of interconnected products

U-Link, the exclusive **BFT** technology platform has evolved to offer improved interaction with the latest generation of technological ecosystems. Its ability to interface with all home access automation access devices has been expanded, meaning it is now a very useful tool for installers. It is also a faster communication protocol with increased security for communicating information.

It allows you to save even more time, checking everything very easily and giving you even more peace of mind.



Automation systems for automatic pedestrian doors

U-SECURITY

A NEW AND EVEN MORE SECURE RADIO PROTOCOL



→ **Secure**
By transmitting data protected by a cryptographic key

U-Security is the new technology from **BFT** which incorporates encrypted rolling code thanks to the encryption key which masks the remote control code, meaning that it is impossible to clone a BFT remote control using another brand's model.

The functions of the **Er Ready** system are incorporated and a new procedure is also available for programming remote controls by scanning a QR CODE and using a special app. All products featuring this technology are **REPLAY**, so they can transmit the code to another BFT remote control using a combination of keys.



→ **Easy**
Pairing a remote control with a receiver can be done easily by scanning the QR code and using the dedicated app



→ **Universal**
The radio protocol is also compatible with the previous generation of receivers

