



Be ahead



# GIOTTO ULTRA 36

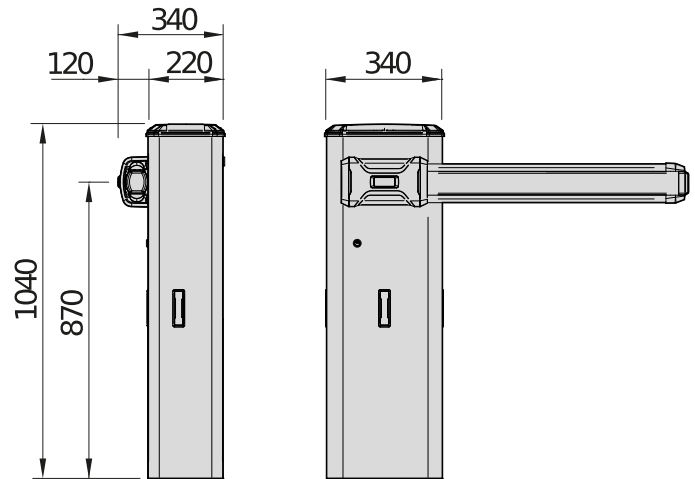




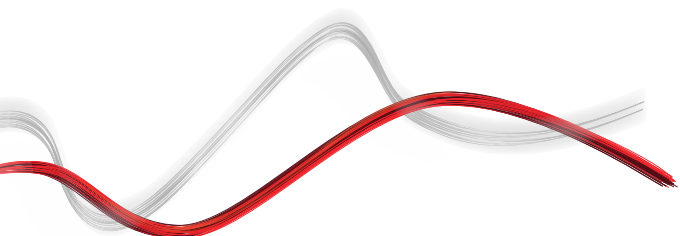
# GIOTTO ULTRA 36



## Road barriers



Range of 24 V electromechanical barriers with opening speeds of between 2.2 and 4 seconds, depending on the length of the bar.  
Ideal for installation in large car parks, vehicle access points and industrial gates between 2 and 6 m wide.  
High degree of movement control and impact resistance via encoder.  
Integrated control unit with U-Link connectivity.  
Same appearance as Maxima U36 barrier.  
Wide range of accessories for any type of application.





# GIOTTO ULTRA 36



## Road barriers



## GIOTTO ULTRA 36

Code	Ci	Name	Description	
P940100 00002	2605398	GIOTTO BT A ULTRA36 230V50	Barrier with 24 V power supply for opening up to 4 m and opening time 2.2 s. Impact resistance by means of encoder. Colour grey, RAL 7015. Integrated control unit with U-Link connectivity.	U-Link
P940101 00002	2605399	GIOTTO BT A ULTRA36 XL 230V50	Barrier with 24 V power supply for opening up to 6 m and opening time 4 s. Impact resistance by means of encoder. Colour grey, RAL 7015. Integrated control unit with U-Link connectivity.	U-Link

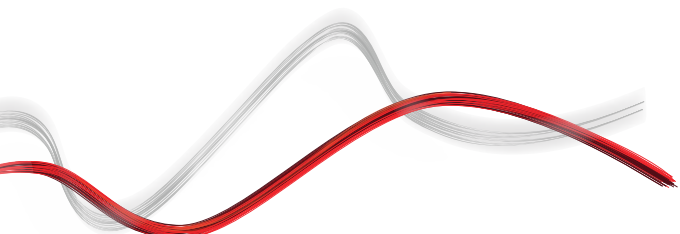
	GIOTTO BT A ULTRA36 230V50	GIOTTO BT A ULTRA36 XL 230V50
Opening time (depending on the width of the leaf)	2,2 s	4 s
Clear opening	4 m	6 m
Motor power supply	24 V	24 V
Control unit	MERAK GIOTTO ULTRA 36	MERAK GIOTTO ULTRA 36
Slowdown	Yes	Yes
Impact reaction	encoder	encoder
Emergency release	Personal key	Personal key
Frequency of use	very intensive	intensive
Processing type	RAL7015 cataphoresis coating and paint	RAL7015 cataphoresis coating and paint
Environmental conditions	-20÷55 °C	-20÷55 °C
Protection rating	IP54	IP54

## VITAL ACCESSORIES

	<b>Cp</b> P120087 00001 - <b>Ci</b> 2601376 <b>BOOM PS30</b> Aluminium bar, opening L = 3 m with red reflectors. Includes rubber and upper optical diffuser. Lights excluded.		<b>Cp</b> P120087 00002 - <b>Ci</b> 2601377 <b>BOOM PS40</b> Aluminium bar, opening L = 4 m with red reflectors. Includes rubber and upper optical diffuser. Lights excluded.
	<b>Cp</b> P120087 00003 - <b>Ci</b> 2601378 <b>BOOM PS50</b> Aluminium bar, opening L = 5 m with red reflectors. Includes rubber and upper optical diffuser. Lights excluded.		<b>Cp</b> P120100 - <b>Ci</b> 2605247 <b>OMEGA PS GIOTTO ULTRA 36</b> Barrier clamp, casing for hand protection and screws for BOOM PS on Giotto Ultra 36. Barrier not included.
	<b>Cp</b> P120087 00005 - <b>Ci</b> 2601491 <b>BOOM PS60 NCG</b> Aluminium bar, opening L = 6 m with red reflectors. Rubber, upper optic profile and excluded lights.		

## RECOMMENDED ACCESSORIES

	<b>Cp</b> P120089 20001 - <b>Ci</b> 2605241 <b>LIGHT PS/ES 30-IP67</b> High intensity LED lighting kit, red-green, to be fitted on BOOM PS/ES bar up to 3 metres long. Power supply unit excluded.		<b>Cp</b> P120089 20002 - <b>Ci</b> 2605242 <b>LIGHT PS/ES 40-IP67</b> High intensity LED lighting kit, red-green, to be fitted on BOOM PS/ES bar up to 4 metres long. Power supply unit excluded.
--	--	--	--



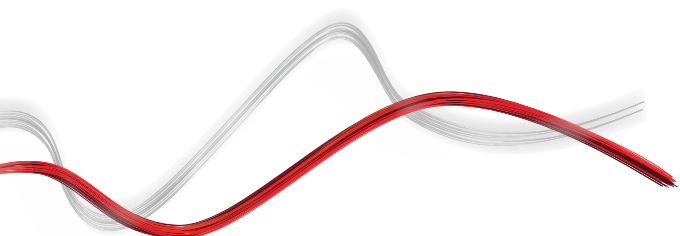


## Road barriers



## RECOMMENDED ACCESSORIES

	<p><b>Cp</b> P120089 20003 - <b>Ci</b> 2605243  <b>LIGHT PS/ES 50-IP67</b></p> <p>High intensity LED lighting kit, red-green, to be fitted on BOOM PS/ES bar up to 5 metres long. Power supply unit excluded.</p>		<p><b>Cp</b> P120116 - <b>Ci</b> 2601492  <b>GT BOARD</b></p> <p>Power supply unit for LIGHT PS/ES lights for Giotto Ultra 36</p>
	<p><b>Cp</b> P120085 - <b>Ci</b> 2601279  <b>BTM-SKIRT</b></p> <p>Lower skirt for BOOM PS booms. Module length L = 2 m.</p>		<p><b>Cp</b> P120095 - <b>Ci</b> 2601389  <b>BRACKET SKIRT</b></p> <p>Connection bracket between barrier body and simple (BTM SKIRT) or double (FULL SKIRT) aluminium rack.</p>
	<p><b>Cp</b> P111782 - <b>Ci</b> 2601411  <b>COMPACTA A20-180</b></p> <p>Pair of photocells adjustable 180° horizontally. 20 metre range. 12-33 VAC/15-35 VDC power supply.</p>		<p><b>Cp</b> P120080 - <b>Ci</b> 2601319  <b>FAF UNI R</b></p> <p>Universal adjustable fork for all rods; recommended with installation of FULL SKIRT accessory.</p>
	<p><b>Cp</b> P120023 - <b>Ci</b> 2600216  <b>FAF 2</b></p> <p>Rest fork for booms. For bolting to ground.</p>		





Road barriers



# EasyAXS

EASY CONNECT. EASY ACCESS.



The new connectivity solution which boosts the potential of BFT products and services to make access automations smarter and easier to use for both installers and end users.





Road barriers

Empowered by **U-LINK**

## EASY TO CONNECT

**WIFI MODULE**



→ 10/15 metres

**WIFI MODULE + ANTENNA**



→ 20/25 metres

**MOBILE MODULE + ANTENNA + SIM**



→ ∞



**PLUG&PLAY  
INSTALLATION**



**ALWAYS  
CONNECTED**



**EVEN MORE  
CONNECTIVITY**



**EASY TO SET UP  
FOR INSTALLERS**



**EASY TO CONTROL  
FOR CUSTOMERS**





Road barriers

Empowered by  
**U-LINK**



# U-LINK 2.0

AN UPDATED VERSION OF  
**U-LINK** TO GIVE YOU EVEN  
MORE FUNCTIONALITY



## Scalable

You can add as many devices as you want



## Intuitive

Easy to install and to use



## Functional

Settings can be controlled and firmware updated remotely using dedicated applications



## Practical

Works with or without an internet connection



## Flexible

It allows you to create groups of interconnected products

**U-Link**, the exclusive **BFT** technology platform has evolved to offer improved interaction with the latest generation of technological ecosystems. Its ability to interface with all home access automation access devices has been expanded, meaning it is now a very useful tool for installers. It is also a faster communication protocol with increased security for communicating information.

It allows you to save even more time, checking everything very easily and giving you even more peace of mind.



Road barriers



Empowered by  
**U-LINK**

# **U-SECURITY**

## A NEW AND EVEN MORE SECURE RADIO PROTOCOL



### Secure

By transmitting data protected by a cryptographic key

**U-Security** is the new technology from **BFT** which incorporates encrypted rolling code thanks to the encryption key which masks the remote control code, meaning that it is impossible to clone a BFT remote control using another brand's model.

The functions of the **Er Ready** system are incorporated and a new procedure is also available for programming remote controls by scanning a QR CODE and using a special app. All products featuring this technology are **REPLAY**, so they can transmit the code to another BFT remote control using a combination of keys.



### Easy

Pairing a remote control with a receiver can be done easily by scanning the QR code and using the dedicated app



### Universal

The radio protocol is also compatible with the previous generation of receivers



