



Be ahead

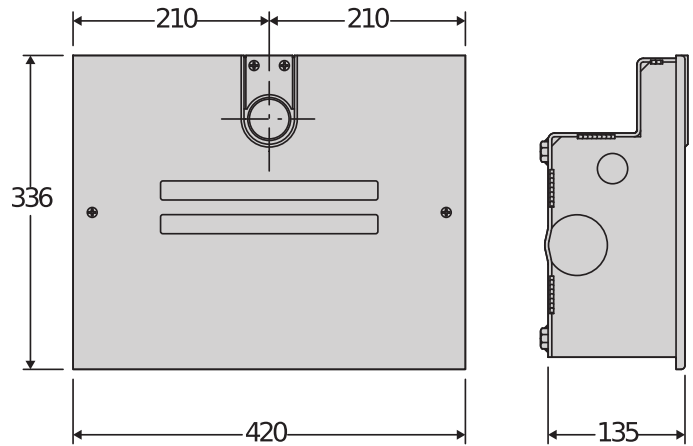


ELI BT A

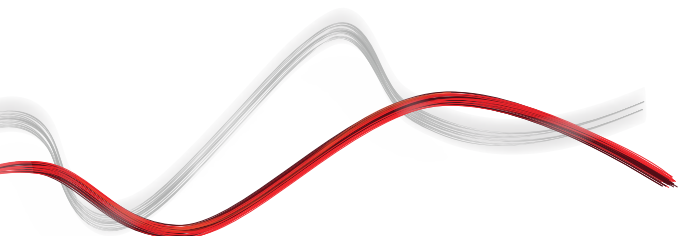




Electromechanical automation systems for swing gates



A complete range of in-ground non-reversible electromechanical operators for swing gates up to 4m long with 24V technology. The integrated mechanical stops for both opening and closing, allowing the option of a simple installation by reducing the need for physical stops. The encoder-based limit switch system offers precision and quick installation. The VELOCE version offers reduced waiting times on opening and closing.





Electromechanical automation systems for swing gates

Relevant features



Fast

Super fast BT35 motors: Maximum comfort. Fast opening is ideal for sites which require reduced waiting times meaning you can quickly clear busy or hazardous roads. Fast closing can help to improve security keeping the property safer from intruders.



Encoder

BT motors with relative encoder: No more need to assemble and adjust the limit switches, reducing installation time.



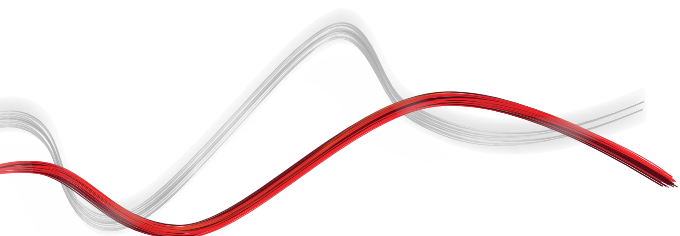
New secondary arm: quicker and more secure attachment to the primary shaft, for a more reliable installation!



New crown produced in XECARB® (available for the models AC a 40, BT A 40): highly resistant thermal-plastic composite, widely used in sport and aerospace, allows the use on heavier gates with a longer service life.



Integrated mechanical stops: for both opening and closing, allowing the option of a simple installation by reducing the need for physical stops.





Electromechanical automation systems for swing gates

ELI BT A

Code	Ci	Name	Description
P930133 00002	2601454	ELI VELOCE BT A35	Underground electromechanical operator 24 V for swing gates up to 3.5 m in length. Relative encoder limit switches
P930134 00002	2601455	ELI BT A40	Underground electromechanical operator 24 V for swing gates up to 4 m in length. Relative encoder limit switches

	ELI VELOCE BT A35	ELI BT A40
Motor voltage	24 V	24 V
Compatible control unit	THALIA BT A80, THALIA, THALIA P	THALIA BT A80, THALIA, THALIA P
Max. width of door/gate wing	3,5 m	4 m
Max. length gate panel without electric lock	2 m	2,5 m
Max. motor torque	250 Nm	350 Nm
Max. opening cycles per hour	50	Continuous
Maximum angle	120 °	120 °
Speed	2 Rpm	1,1 Rpm
Opening time to 90°	10" (with slowdown)	14" (with slowdown)
Limit switch standard	Relative encoder	Relative encoder
Limit switch optional	Magnetic	Magnetic
Mechanical stops	OP+CL	OP+CL
Release	Lever or lever with personalised key	Lever or lever with personalised key
Impact reaction	Electronic clutch (with control panel)	Electronic clutch (with control panel)
Protection rating	IP67	IP67
Environmental conditions	-20 ÷ 55 °C	-20 ÷ 55 °C

VITAL ACCESSORIES

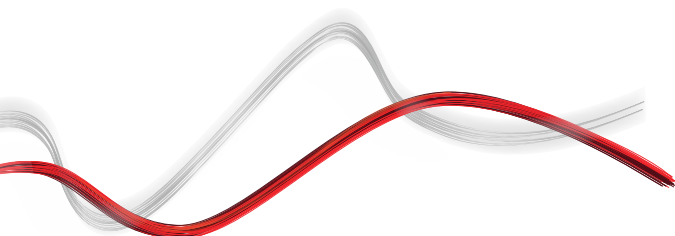
Ph Out Cp D113745 00002 - Ci 2600477 THALIA Control panel with display for one or two 24V electromechanical operators for swing gates	Ph Out Cp D113747 00002 - Ci 2600583 THALIA P Control panel for one or two 24V electromechanical and hydraulic operators for swing gates with electric lock management, for highly complex systems
 Cp N733397 - Ci 2600789 BTCF 120 E Foundation box with levers for ELI AC A, ELI BT A. Release not supplied	 Cp N733398 - Ci 2600091 BTCF 120 E INOX Stainless steel foundation box with levers for ELI AC A, ELI BT A. Release not provided
 Cp N733392 - Ci 2600478 SCC Release for ELI AC A, ELI BT A and SUB BT with lever key.	



Electromechanical automation systems for swing gates

RECOMMENDED ACCESSORIES

	<p>Cp N733304 - Ci 2600236 E180</p> <p>Accessory for opening to 180 ° for ELI AC A40, ELI BT A40 operator</p>		<p>Cp N733951 - Ci 2601457 FCE</p> <p>Magnetic limit switches for BT and AC models.</p>
	<p>Cp P111782 - Ci 2601411 COMPACTA A20-180</p> <p>Pair of photocells adjustable 180° horizontally. 20 metre range. 12-33 VAC/15-35 VDC power supply.</p>		<p>Cp D114093 00003 - Ci 2607539 RADIUS LED BT A R1</p> <p>Flashing light with incorporated antenna for motors with 24 V power supply.</p>
	<p>Cp P125020 - Ci 2600844 BBT BAT</p> <p>Set of backup batteries for THALIA, THALIA P, ZARA and PHEBE</p>		





Electromechanical automation systems for swing gates

EasyAXS

EASY CONNECT. EASY ACCESS.



The new connectivity solution which boosts the potential of BFT products and services to make access automations smarter and easier to use for both installers and end users.





Electromechanical automation systems for swing gates

EASY TO CONNECT

WIFI MODULE



→ 10/15 metres

WIFI MODULE + ANTENNA



→ 20/25 metres

MOBILE MODULE + ANTENNA + SIM



→ ∞



**PLUG&PLAY
INSTALLATION**



**ALWAYS
CONNECTED**



**EVEN MORE
CONNECTIVITY**



**EASY TO SET UP
FOR INSTALLERS**



**EASY TO CONTROL
FOR CUSTOMERS**





Electromechanical automation systems for swing gates



U-LINK 2.0

AN UPDATED VERSION OF
U-LINK TO GIVE YOU EVEN
MORE FUNCTIONALITY



Scalable

You can add as many devices as you want



Intuitive

Easy to install and to use



Functional

Settings can be controlled and firmware updated remotely using dedicated applications



Practical

Works with or without an internet connection



Flexible

It allows you to create groups of interconnected products

U-Link, the exclusive **BFT** technology platform has evolved to offer improved interaction with the latest generation of technological ecosystems. Its ability to interface with all home access automation access devices has been expanded, meaning it is now a very useful tool for installers. It is also a faster communication protocol with increased security for communicating information.

It allows you to save even more time, checking everything very easily and giving you even more peace of mind.



Electromechanical automation systems for swing gates

U-SECURITY

A NEW AND EVEN MORE SECURE RADIO PROTOCOL



- **Secure**
By transmitting data protected by a cryptographic key

U-Security is the new technology from **BFT** which incorporates encrypted rolling code thanks to the encryption key which masks the remote control code, meaning that it is impossible to clone a BFT remote control using another brand's model.

The functions of the **Er Ready** system are incorporated and a new procedure is also available for programming remote controls by scanning a QR CODE and using a special app. All products featuring this technology are **REPLAY**, so they can transmit the code to another BFT remote control using a combination of keys.



- **Easy**
Pairing a remote control with a receiver can be done easily by scanning the QR code and using the dedicated app



- **Universal**
The radio protocol is also compatible with the previous generation of receivers



INFORMATION REGARDING THE PROTECTION OF THE INDUSTRIAL AND INTELLECTUAL PROPERTY RIGHTS OF BFT. BFT S.p.A. protects its industrial property by depositing trademarks, patents, models and designs. The intellectual property of BFT S.p.A. is protected by copyright law. BFT S.p.A. also protects its know-how by taking measures to protect the technical and commercial information inherent in its company and products. All the products in this catalogue are ORIGINAL BFT MODELS and only BFT S.p.A. is authorised to produce them and market them anywhere in the world. All the commercial names in this catalogue are owned by BFT S.p.A., and only BFT S.p.A. is authorised to use them in relation to the corresponding merchandise category. **FALSIFIERS WILL BE PROCEEDED AGAINST IN ACCORDANCE WITH BOTH CIVIL AND CRIMINAL LAW. THESE CONDITIONS NOT ONLY GUARANTEE THE INTELLECTUAL PROPERTY RIGHTS OF BFT, BUT ALSO PROTECT CUSTOMERS BY GUARANTEEING THAT THE PRODUCTS THEY ARE PURCHASING ARE ORIGINAL BFT PRODUCTS RESULTING FROM STUDIES AND DESIGNS WITHIN THE BFT COMPANY.**