



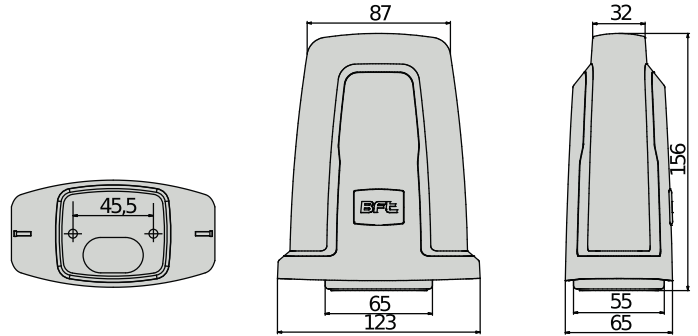
Be ahead



RADIUS LED



Flashing lights for automatic gates



The flashing signal light for automatic gates, RADIUS LED by BFT, available in the 24V and 230V versions, with or without built-in receiving antenna (433.92 MHz). The 24V model with built-in antenna is available in the 2 versions with a yellow or smoked grey cap. Thanks to LED technology, energy consumption is reduced by approximately 80% compared to models with traditional incandescent light bulbs, while extending the service life of the product. Possibility of installing on a surface (such as a pillar or column) or on the wall using the special accessory. Protection rating IP44.



Flashing lights for automatic gates

RADIUS LED

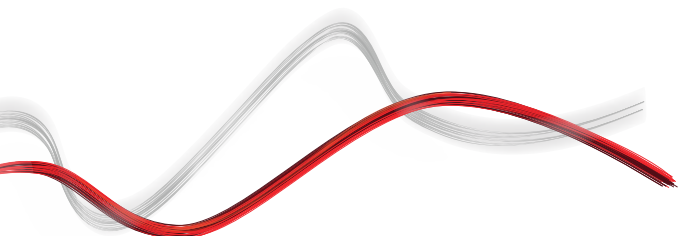
Code	Ci	Name	Description
D114094 00003	2607541	RADIUS LED BT A R0	Flashing light without incorporated antenna for motors with 24 V power supply. Maximum visibility even in bright light conditions
D114093 00001	2607537	RADIUS LED AC A R1 120	Flashing light with incorporated antenna for motors with power supply 120 V. Maximum visibility even in bright light conditions
D114093 00003	2607539	RADIUS LED BT A R1	Flashing light with incorporated antenna for motors with 24 V power supply. Maximum visibility even in bright light conditions
D114168 00003	2607544	RADIUS LED BT A R1 W	Flashing light with incorporated antenna for motors with 24 V power supply. White flashing light. Maximum visibility even in bright light conditions
D114094 00002	2607540	RADIUS LED AC A R0	Flashing light without incorporated antenna for motors with 230 V power supply. Maximum visibility even in bright light conditions
D114093 00002	2607538	RADIUS LED AC A R1	Flashing light with incorporated antenna for motors with 230 V power supply. Maximum visibility even in bright light conditions

	RADIUS LED BT A R0	RADIUS LED AC A R1 120	RADIUS LED BT A R1
Voltage	24 V	120 V	24 V
Built-in antenna	no	no	Yes
Light	yellow	yellow	yellow
Protection rating	IP44	IP44	IP44

	RADIUS LED BT A R1 W	RADIUS LED AC A R0	RADIUS LED AC A R1
Voltage	24 V	230 V	230 V
Built-in antenna	Yes	no	Yes
Light	white	yellow	yellow
Protection rating	IP44	IP44	IP44

RECOMMENDED ACCESSORIES

	Cp P123025 - Ci 2600837				
	B 00 R02				
	Wall mounting for B LTA series flashing beacons				



Flashing lights for automatic gates

EasyAXS

EASY CONNECT. EASY ACCESS.



The new connectivity solution which boosts the potential of BFT products and services to make access automations smarter and easier to use for both installers and end users.



Flashing lights for automatic gates

EASY TO CONNECT

WIFI MODULE



→ 10/15 metres

WIFI MODULE + ANTENNA



→ 20/25 metres

MOBILE MODULE + ANTENNA + SIM



→ ∞



**PLUG&PLAY
INSTALLATION**



**ALWAYS
CONNECTED**



**EVEN MORE
CONNECTIVITY**



**EASY TO SET UP
FOR INSTALLERS**



**EASY TO CONTROL
FOR CUSTOMERS**



Flashing lights for automatic gates



U-LINK 2.0

AN UPDATED VERSION OF U-LINK TO GIVE YOU EVEN MORE FUNCTIONALITY



Scalable

You can add as many devices as you want



Intuitive

Easy to install and to use



Functional

Settings can be controlled and firmware updated remotely using dedicated applications



Practical

Works with or without an internet connection



Flexible

It allows you to create groups of interconnected products



U-Link, the exclusive **BFT** technology platform has evolved to offer improved interaction with the latest generation of technological ecosystems. Its ability to interface with all home access automation access devices has been expanded, meaning it is now a very useful tool for installers. It is also a faster communication protocol with increased security for communicating information.

It allows you to save even more time, checking everything very easily and giving you even more peace of mind.

Flashing lights for automatic gates

U-SECURITY

A NEW AND EVEN MORE SECURE RADIO PROTOCOL



Secure

By transmitting data protected by a cryptographic key

U-Security is the new technology from **BFT** which incorporates encrypted rolling code thanks to the encryption key which masks the remote control code, meaning that it is impossible to clone a BFT remote control using another brand's model.

The functions of the **Er Ready** system are incorporated and a new procedure is also available for programming remote controls by scanning a QR CODE and using a special app. All products featuring this technology are **REPLAY**, so they can transmit the code to another BFT remote control using a combination of keys.



Easy

Pairing a remote control with a receiver can be done easily by scanning the QR code and using the dedicated app



Universal

The radio protocol is also compatible with the previous generation of receivers



INFORMATION REGARDING THE PROTECTION OF THE INDUSTRIAL AND INTELLECTUAL PROPERTY RIGHTS OF BFT. BFT S.p.A. protects its industrial property by depositing trademarks, patents, models and designs. The intellectual property of BFT S.p.A. is protected by copyright law. BFT S.p.A. also protects its know-how by taking measures to protect the technical and commercial information inherent in its company and products. All the products in this catalogue are ORIGINAL BFT MODELS and only BFT S.p.A. is authorised to produce them and market them anywhere in the world. All the commercial names in this catalogue are owned by BFT S.p.A., and only BFT S.p.A. is authorised to use them in relation to the corresponding merchandise category. **FALSIFIERS WILL BE PROCEEDED AGAINST IN ACCORDANCE WITH BOTH CIVIL AND CRIMINAL LAW. THESE CONDITIONS NOT ONLY GUARANTEE THE INTELLECTUAL PROPERTY RIGHTS OF BFT, BUT ALSO PROTECT CUSTOMERS BY GUARANTEEING THAT THE PRODUCTS THEY ARE PURCHASING ARE ORIGINAL BFT PRODUCTS RESULTING FROM STUDIES AND DESIGNS WITHIN THE BFT COMPANY.**