



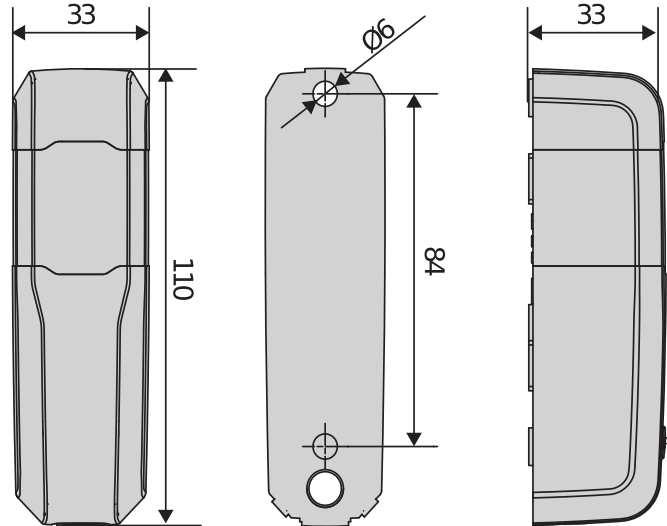
Be ahead



COMPACTA A20-180

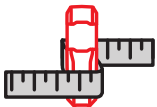


Photocells for automatic gates and safety devices



Pair of adjustable photocells, designed to offer a high level of installation flexibility thanks to their compact size, the possibility to adjust the head by 90° horizontally, left and right (180° in total), and a wide input power supply range 12-33Vac and 15-35Vdc. 20 metre nominal range.

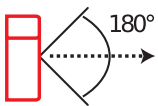
Relevant features



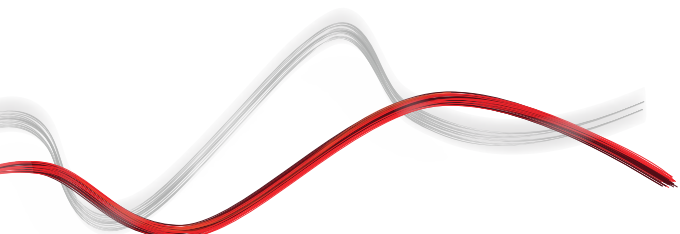
Design and compactness: COMPACTA was designed to optimise the space by reducing its dimensions as much as possible in order to be well integrated in the various types of installation. Everything features BFT's design language, with characterising shapes and geometry that blend elegance, function and practicality.



Flexibility: COMPACTA may use a wide input power supply range, 12-33Vac 50/60Hz and 15-35Vdc, making it usable in a vast number of installations. In addition, it may be wired to all the BFT control boards with test.



Maximum installation simplicity: the possibility of adjusting the infra-red head up to 90° both left and right (180° in total) means these photocells can be installed on walls or posts that are not aligned, thus saving time and obtaining a clean and seamless installation. On the vertical plane, optics are fixed, although the geometry allows recovering slight misalignments up to +/- 5°. Finally, once the correct angle of the optics is found, the cover locks to the base with a simple click.





COMPACTA A20-180

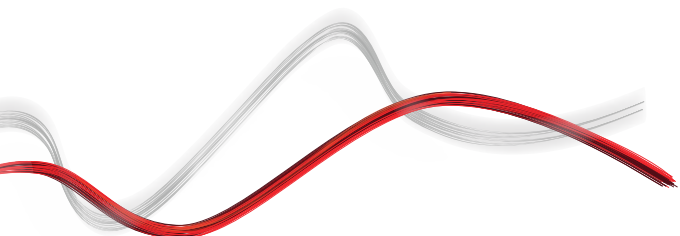


Photocells for automatic gates and safety devices

COMPACTA A20-180

Code	Ci	Name	Description
P111782	2601411	COMPACTA A20-180	Pair of photocells adjustable 180° horizontally. 20 metre range. 12-33 VAC/15-35 VDC power supply.

COMPACTA A20-180	
Supply voltage	12 - 33Vac / 15 - 35Vdc
Nominal Range	20 m
Horiz. adjustment	180 °
Degree of protection (IP)	44



Photocells for automatic gates and safety devices

EasyAXS

EASY CONNECT. EASY ACCESS.



The new connectivity solution which boosts the potential of BFT products and services to make access automations smarter and easier to use for both installers and end users.



Photocells for automatic gates and safety devices

EASY TO CONNECT

WIFI MODULE



→ 10/15 metres

WIFI MODULE + ANTENNA



→ 20/25 metres

MOBILE MODULE + ANTENNA + SIM



→ ∞



**PLUG&PLAY
INSTALLATION**



**ALWAYS
CONNECTED**



**EVEN MORE
CONNECTIVITY**



**EASY TO SET UP
FOR INSTALLERS**



**EASY TO CONTROL
FOR CUSTOMERS**



Photocells for automatic gates and safety devices



U-LINK 2.0

**AN UPDATED VERSION OF
U-LINK TO GIVE YOU EVEN
MORE FUNCTIONALITY**



Scalable

You can add as many devices as you want



Intuitive

Easy to install and to use



Functional

Settings can be controlled and firmware updated remotely using dedicated applications



Practical

Works with or without an internet connection



Flexible

It allows you to create groups of interconnected products

U-Link, the exclusive **BFT** technology platform has evolved to offer improved interaction with the latest generation of technological ecosystems. Its ability to interface with all home access automation access devices has been expanded, meaning it is now a very useful tool for installers. It is also a faster communication protocol with increased security for communicating information.

It allows you to save even more time, checking everything very easily and giving you even more peace of mind.

Photocells for automatic gates and safety devices

-SECURITY

A NEW AND EVEN MORE SECURE RADIO PROTOCOL



→ **Secure**
By transmitting data protected by a cryptographic key

U-Security is the new technology from **BFT** which incorporates encrypted rolling code thanks to the encryption key which masks the remote control code, meaning that it is impossible to clone a BFT remote control using another brand's model.

The functions of the **Er Ready** system are incorporated and a new procedure is also available for programming remote controls by scanning a QR CODE and using a special app. All products featuring this technology are **REPLAY**, so they can transmit the code to another BFT remote control using a combination of keys.



→ **Easy**
Pairing a remote control with a receiver can be done easily by scanning the QR code and using the dedicated app



→ **Universal**
The radio protocol is also compatible with the previous generation of receivers



INFORMATION REGARDING THE PROTECTION OF THE INDUSTRIAL AND INTELLECTUAL PROPERTY RIGHTS OF BFT. BFT S.p.A. protects its industrial property by depositing trademarks, patents, models and designs. The intellectual property of BFT S.p.A. is protected by copyright law. BFT S.p.A. also protects its know-how by taking measures to protect the technical and commercial information inherent in its company and products. All the products in this catalogue are ORIGINAL BFT MODELS and only BFT S.p.A. is authorised to produce them and market them anywhere in the world. All the commercial names in this catalogue are owned by BFT S.p.A., and only BFT S.p.A. is authorised to use them in relation to the corresponding merchandise category. **FALSIFIERS WILL BE PROCEEDED AGAINST IN ACCORDANCE WITH BOTH CIVIL AND CRIMINAL LAW. THESE CONDITIONS NOT ONLY GUARANTEE THE INTELLECTUAL PROPERTY RIGHTS OF BFT, BUT ALSO PROTECT CUSTOMERS BY GUARANTEEING THAT THE PRODUCTS THEY ARE PURCHASING ARE ORIGINAL BFT PRODUCTS RESULTING FROM STUDIES AND DESIGNS WITHIN THE BFT COMPANY.**