



# PARKING SYSTEM

Complete range  
of car park systems



Be ahead



## The innovative technology that gives you more power

An absolute innovation, and Bft exclusive, with surprising new-generation performance: U-Link is a cross-platform that allows the creation of technological ecosystems, offering maximum control.

- **U-Control** facilitates and speeds up the management of products dedicated to the commercial and tertiary sector.
- **U-Base 2** facilitates the management of a system interconnected via U-Link, allowing you to control the automation parameters.
- **U-SDK** allows the system integrators to make other brands of home automation systems communicate with Bft products interconnected in a U-link network.

# New power in *your* hands.



## B-eba

**A direct line with your operators.**

B-eba expansion cards allow the connection of external devices, such as PCs, smartphones and tablets, to a Bft operator or Clonix receiver, or the connection of several Bft products in a U-Link network. These accessories integrate with U-Link technology and Bluetooth, Z-Wave, TCP/IP protocols, as well as the RS485 serial connection. A device that fully translates what Bft means for interconnectivity.



## Clonix U-Link

**Allows old-generation products or non-Bft products to be connected to U-Link systems.**

Can old-generation Bft operators or products of another brand be connected to U-Link? Yes, thanks to the Clonix U-Link receivers. Accessories that know no limits.





# ADVANCED SYSTEMS





# ESPAS 30-I

The ESPAS 30-I entry solution combined with an electromechanical barrier and a double loop is a device for controlling an entry point of a parking area. It is designed for wired systems and therefore must be connected to the other components of the system via RS485 serial network

## BASIC COMPONENTS

- Backlit LCD display 20x2
- Voice synthesis for user guide
- Container for up to 5000 tickets with easy loading
- ISO fanfold ticket printer
- Vandal-proof luminous piezoelectric button for ticket request
- Proximity reader for season tickets
- Assistance call button
- Dual-channel detector for vehicle reading
- Barrier control
- Heater and pressure ventilation system with electronic temperature control

## OPTIONAL COMPONENTS

- Digital intercom
- Analogue intercom
- Ticket barcode reader-scanner

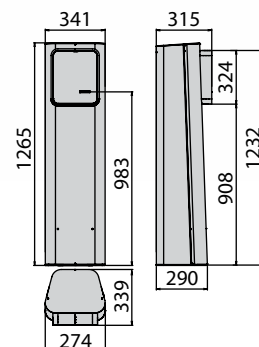
## SPECIAL VERSIONS

- ESPAS 30 A: for entry and exit points for season ticket holders only
- ESPAS 30 PAPER-ROLL: with paper-roll tickets



## SPECIFICATIONS

- Power supply: 230 Vac/50Hz
- Current absorption in operation: 200 W
- Current absorption when idle: 70 W
- Material: galvanised steel structure, RAL7015 painted
- Weight: 60 Kg
- Operating temperature: from -20°C to +50°C
- Protection rating: IP 33
- Interface: RS-485 serial
- Proximity reader: RFID 125kHz



# ESPAS 30-U

The ESPAS 30-U exit solution combined with an electromechanical barrier and a double loop is a device for controlling an exit point of a parking area. It is designed for wired systems and therefore must be connected to the other components of the system via RS485 serial network

## BASIC COMPONENTS

- Backlit LCD display 20x2
- Voice synthesis for user guide
- Barcode reader-scanner
- Proximity reader for season tickets
- Assistance call button
- Dual-channel detector for vehicle reading
- Barrier control
- Pressure ventilation system

## OPTIONAL COMPONENTS

- Digital intercom
- Analogue intercom
- Motorised reader scanner retractor

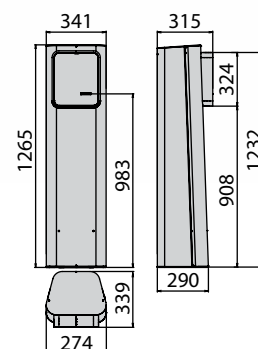
## SPECIAL VERSIONS

- ESPAS 30 A: for entry and exit points for season ticket holders only



## SPECIFICATIONS

- Power supply: 230 Vac/50Hz
- Current absorption in operation: 200 W
- Current absorption when idle: 70 W
- Material: galvanised steel structure, RAL7015 painted
- Weight: 60 Kg
- Operating temperature: from -20°C to +50°C
- Protection rating: IP 33
- Interface: RS-485 serial
- Proximity reader: RFID 125kHz



# ESPAS 30-P

The ESPAS30-P automatic pay station is designed to provide professional car park systems with a device offering maximum functionality and performance for automatic payment. It must be connected to the system server via an Ethernet network

## BASIC COMPONENTS

- 6.5" graphic colour display
- Multi-language voice synthesis
- Coin acceptor and change giver for up to 6 coin sizes
- Note acceptor and change giver, reads up to 4 note sizes in 4 directions and gives change in one (configurable) size
- Proximity reader for season ticket renewal
- Printer for issuing lost tickets or printing reports and receipts
- Ticket reader scanner
- Cash boxes, removable only with a security key
- Heater and pressure ventilation system with electronic temperature control

## OPTIONAL COMPONENTS

- Digital intercom
- Analogue intercom
- Motorised ticket reader module which prints the receipt on the ticket
- Credit card reader with Pin-pad
- Note change giver, two note sizes

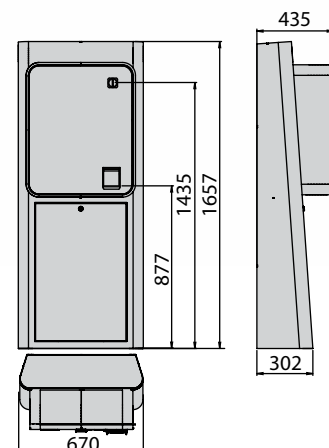
## SPECIAL VERSIONS

- ESPAS 30-P HR of size meeting disabled standards (670x 438x 1498 LxWxH)
- ESPAS 30-P PAPER ROLL with paper-roll tickets



## SPECIFICATIONS

- Power supply: 230 Vac/50Hz
- Current absorption in operation: 200 W
- Current absorption when idle: 70 W
- Material: powder-painted galvanised steel structure
- Weight: 90 Kg
- Operating temperature: from -20°C to +50°C
- Display: 6.5" colour TFT
- Coin change giver container capacity: 6 tubes of 50 coins each and 2 additional 350-coin hoppers.
- Note change giver container capacity: 30 pcs
- Communication interface: Ethernet
- Proximity reader: RFID 125kHz





## ESPAS 30 Manned pay station server

A complete, reliable and easy-to-use system in a single solution, with incorporated database

PC used for cashier operations.

With the JANICA software and the system's components, operations such as parking payments, issue and renewal of season tickets and tariff management can be done immediately

### BASIC COMPONENTS

- Personal computer complete with 19" LCD monitor, mouse and keyboard
- Barcode reader with manual laser scanner
- RS485 interface device for connection to entry and exit stations
- Network hub for connection to the ESPAS 30-P automatic pay station

### OPTIONAL COMPONENTS

- Receipt printer
- Ticket/pass printer
- Courtesy display
- Desktop proximity reader for season tickets
- Cash box

### SPECIAL VERSIONS

- ESPAS 30 SERVER: system server without manning function
- ESPAS 30 SERVER TE: system server with extended temperature for outdoor installations
- ESPAS 30 CLIENT MANNED PAY STATION: client pay station function only, without server

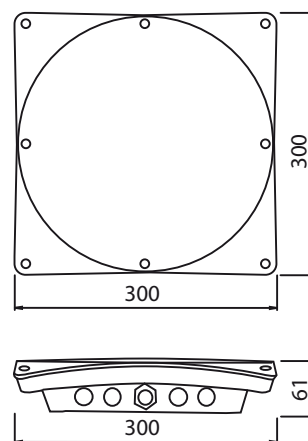


# AURA TUVA

The AURA Tuva is a medium range UHF passive tag reading system that can be integrated into ESPAS30 line parking systems. The Tuva antenna, installed near ESPAS30-I and ESPAS30-U entry and exit posts, allows motorists with special adhesive tags on their windcreens to enter and exit the car park quickly, without having to show anything at the post.

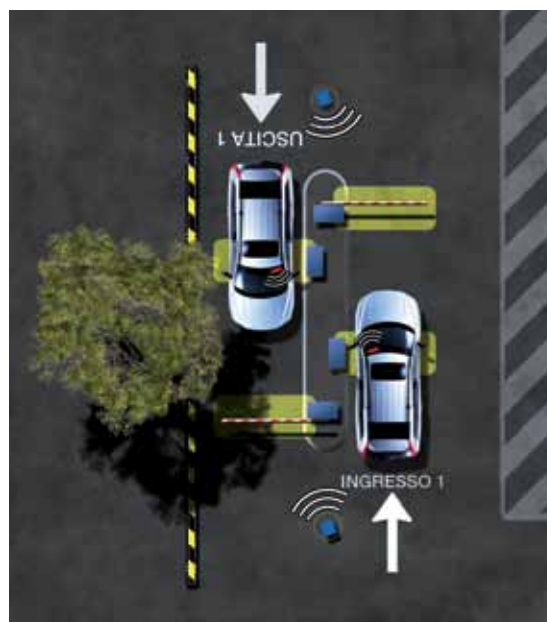
## OPERATION

The antenna is integrated in the post at each access point to be covered by the service. It is oriented towards the lane: in this way, when a vehicle with a Tuva Tag linked to a valid season ticket approaches, the transit point will let it through. Car park users who opt to use this technology do not need to have any kind of ID card to enter or leave the car park, and can go through in a quick and orderly way. Season tickets based on Tuva technology can be of any type, with any type of software, and can be renewed at manned or automatic pay stations.



## SPECIFICATIONS

- Power supply: 12-24 V DC
- Consumption: 1A at 12V / 0.5A at 24V
- Operating frequency: 865-868 MHz / 902-928 MHz
- material: aluminium and cover in abs uL94
- Weight: 750 g
- Reading distance: up to 6 m (with the tags supplied)
- Communication interface: Ethernet
- Operating temperature: from -30°C to +60°C
- Protection rating: IP 65
- Certifications: CE, FCC
- EMC: European directive for EMC 89/336/EEC, EN 301489-1



## AURA NEA

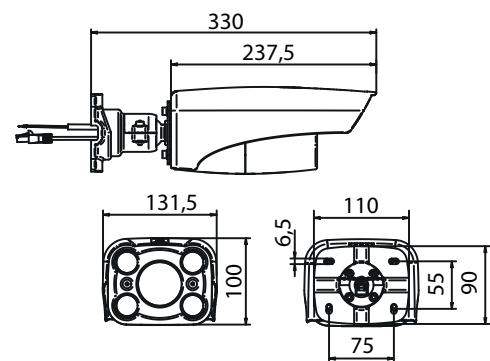
The AURA NEA is a number-plate reading system that can be integrated in ESPAS30 parking systems.

The camera, installed near the ESPAS30-I and ESPAS30-U entry and exit posts, allows vehicles with registered number-plate to enter and exit the car park quickly, without having to show anything at the post.

The use of the plate does not require specific physical supports, thereby offering maximum flexibility.

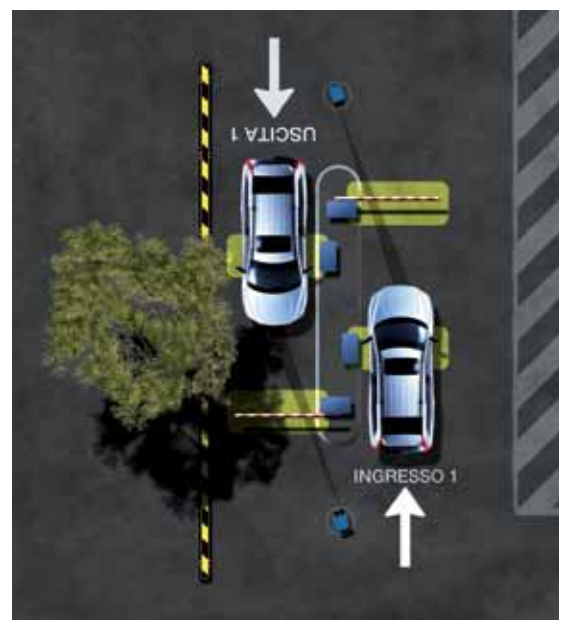
### FEATURES

- Plate number printed on the entry ticket of occasional users
- Management of season tickets without cards or other tickets, using the number-plate only
- Exit authorisation via the number-plate linked to a paid ticket
- Flexible management of season tickets, with the possibility of using transponder cards, UHF TAGs or number-plate reading, based on the daily needs of the customer. The process is transparent for the customer and fully automated
- Increased security through the unequivocal vehicle number-plate link
- Access to the car park allowed for vehicles with certain pre-registered number-plates
- Possibility of linking several number-plates to the same season ticket holders if they own more than one vehicle. This makes car park access even more transparent.
- It can recognise all European and non-European number-plate formats
- The NEA system can be used without entry and exit stations in car parks for season ticket holders only
- The reading precision level can be set to allow the registration of even relatively worn or dirty number-plates, permitting matching with less characters



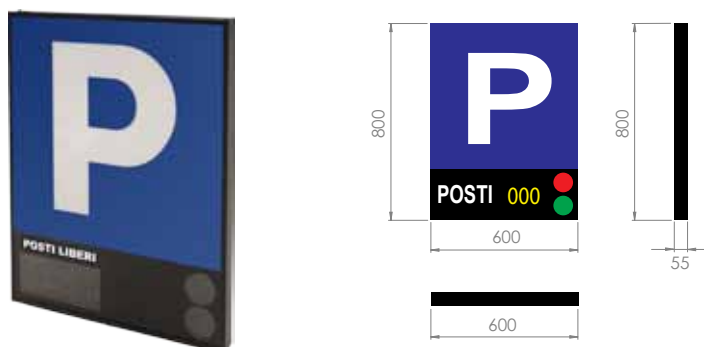
### SPECIFICATIONS

- Supply voltage: 12 VDC
- Consumption: 8 W, max. 10 W
- I/O: Opto-isolated input: trigger input: 5 – 12 Vdc
- Opto-isolated output: output 5 – 24Vdc, 20mA max Serial RS232/5
- Weight: 1.6 kg
- Communication interface: Ethernet
- Operating temperature: -25°C +55°C
- IP rating: IP 65
- Conformity: CE, RoHS, FCC





## VACANT SPACES INDICATOR PANEL



Illuminated panel indicating car park space availability. Fitted with red and green traffic lights and 3 digits to indicate the number of vacant spaces. Backlit panel for night-time visibility, available in two-sided version

### SPECIFICATIONS

- Power supply 230V
- Communication interface: RS 485
- LED light diameter: 80 mm

## FANFOLD TICKET PRINTER FOR STATION



Desktop thermal printer for tickets in fanfold format linked to the ESPAS30 manned pay station for printing receipts, reports and special tickets.

## OFFLINE BONUS PRINTERS



Desktop compact thermal printer able to print an additional barcode on parking tickets collected at the entry station. These barcodes, read by the ESPAS30-P automatic pay station, are identified as bonuses, allowing the application a discount in terms of price or minutes when calculating the tariff.

## BONUS VALIDATOR



A device comprising a desktop laser scanner and a console with LEDs and buzzer.

Connected to an ESPAS30 parking server, it is used to assign specific bonuses, in time or money, to entry tickets. After assigning the bonus the pay station considers this when calculating the amount to be paid.

# ACCESS POINT PANEL

Access counter and control unit

The access point panel is a device used in the context of ESPAS 30 car parks to count the areas and control vehicle entrances, based on UHF or ANPR technology.

The vehicle counter function requires the access point panel to be used in sub-areas of the ESPAS 30 car park which are not directly counted by the entry or exit stations.

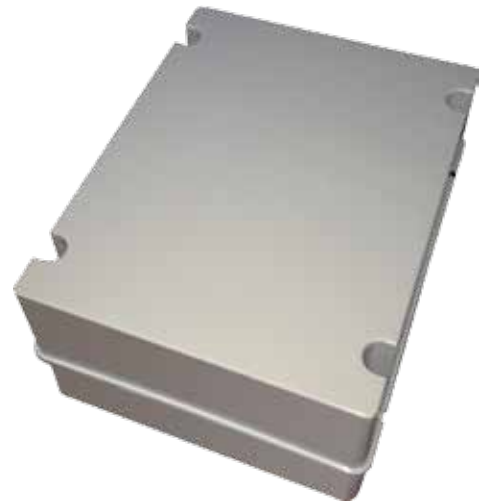
Simplified operation is ensured if communication with the server is down.

## BASIC COMPONENTS

- One pair of dual-channel magnetic detectors to read vehicle transit direction
- Control of up to two electro-mechanical barriers
- One pair of voltage-free contact inputs for emergency opening
- One pair of relay contacts for area traffic light control (vacant/full) and the lane traffic light
- One pair of RS232 serial connectors to use for the UHF antenna or RFID reader for access to the areas controlled by the access point panel
- RS485 serial connection for connection to the car park server if the 485 communication is down.

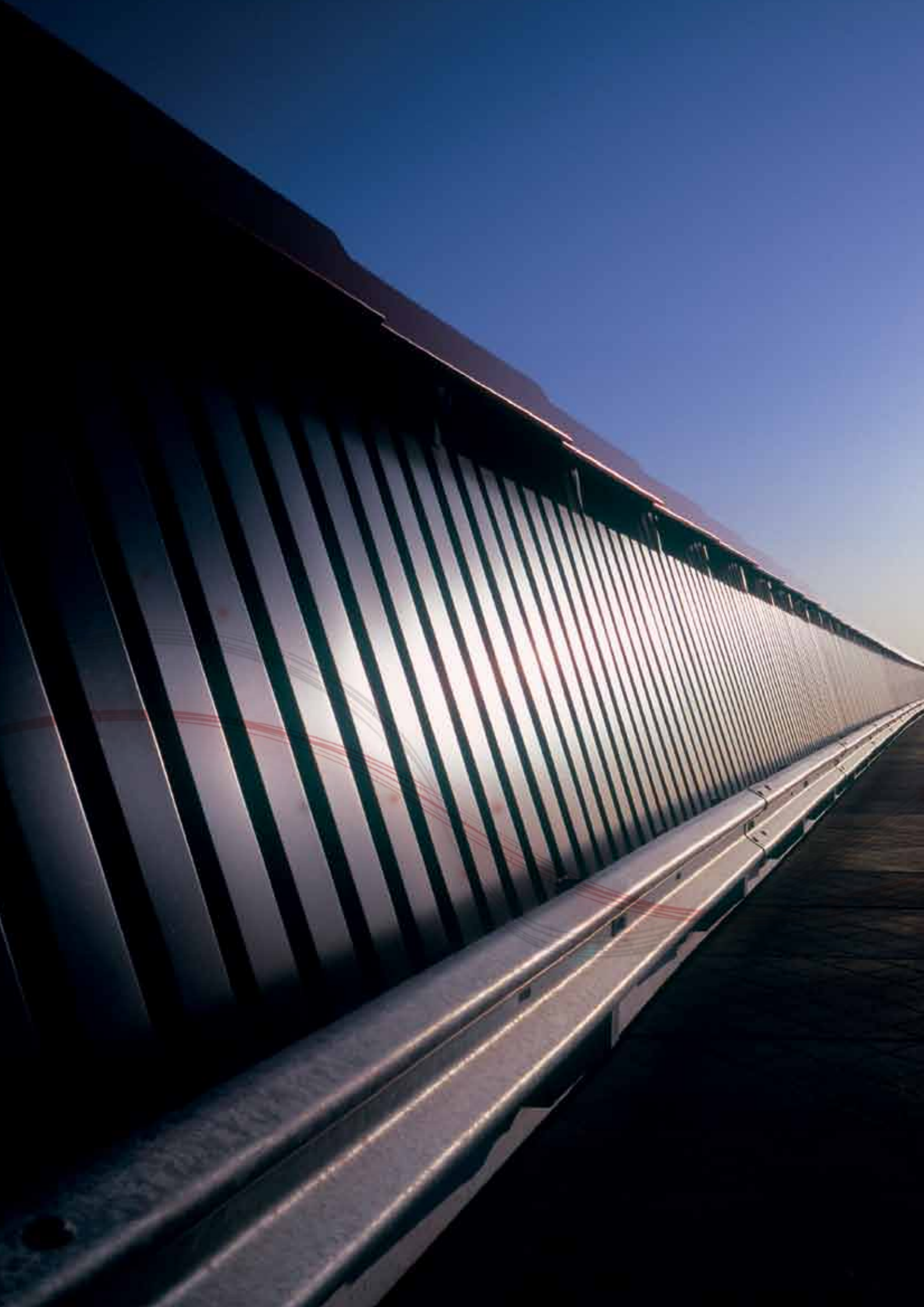
## SPECIAL VERSIONS

- Roadside cabinet for outdoor installations
- GPRS connection of the Access Point Panel to the counter supervision Server



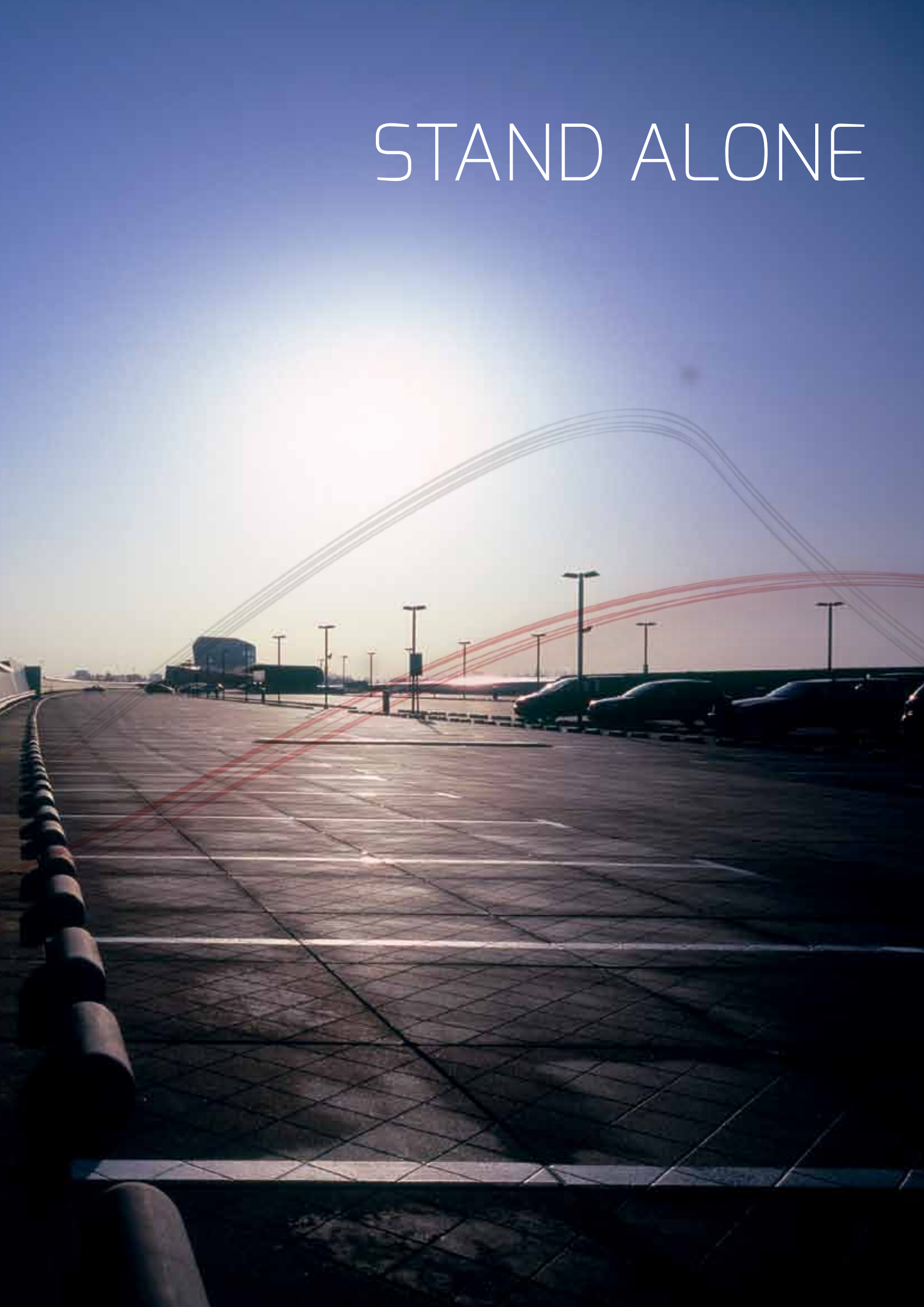
## SPECIFICATIONS

- Power supply: 230V / 50Hz
- Max absorbed power: 70W
- Inputs: 6 digital inputs
- Outputs: 11 outputs for control of barriers and traffic lights
- Serial interfaces: 1 RS-485 for connection to the system server 2 RS-232 for connection to UHF/RFID readers
- Dimensions: 380x300x180mm (l x h x w)
- Operating temperature: from -20°C to +50°C
- Protection rating: IP65





# STAND ALONE



# ESPAS 20-I

The ESPAS20-I station combined with an electromechanical barrier and a double loop is a device for controlling a parking area entry point. The system works in stand-alone mode, and no wiring is required between the various components of the car park

## BASIC COMPONENTS

- Backlit LCD display 20x2
- Container for up to 5000 tickets with easy loading
- ISO fanfold ticket printer
- Vandal-proof luminous piezoelectric button for ticket request
- Proximity reader for operator cards
- Assistance call button
- Dual-channel detector for vehicle direction reading
- Barrier control
- Heater and pressure ventilation system with temperature control

## OPTIONAL COMPONENTS

- Analogue intercom
- Digital intercom
- Ticket barcode reader-scanner

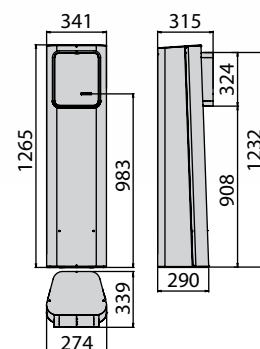
## SPECIAL VERSIONS

- ESPAS 20 SA: for entry for season ticket holders only
- ESPAS 20 PAPER ROLL: with paper-roll tickets



## SPECIFICATIONS

- Power supply: 230 Vac/50Hz
- Current absorption in operation: 200 W
- Current absorption when idle: 70 W
- Material: powder-painted galvanised steel structure
- Weight: 60 Kg
- Operating temperature: from -20°C to +50°C
- Button: luminous, vandal-proof
- Protection rating: IP 33
- Proximity reader: RFID 125kHz



# ESPAS 20-U

The ESPAS20-U station combined with an electromechanical barrier and a double loop is a device for controlling an exit point of a parking area. The system works in stand-alone mode, and no wiring is required between the various components of the car park

## BASIC COMPONENTS

- Backlit LCD display 20x2
- Barcode reader-scanner
- Proximity reader for operator cards
- Assistance call button
- Dual-channel detector for vehicle direction reading
- Barrier control
- Heater and pressure ventilation system with temperature control

## OPTIONAL COMPONENTS

- Analogue intercom
- Digital intercom
- Motorised reader scanner retractor

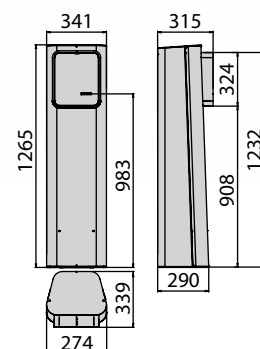
## SPECIAL VERSIONS

- ESPAS 20 SA: for exits for season ticket holders only



## SPECIFICATIONS

- Power supply: 230 Vac/50Hz
- Current absorption in operation: 200 W
- Current absorption when idle: 70 W
- Material: galvanised steel structure, RAL7015 painted
- Weight: 60 Kg
- Operating temperature: from -20°C to +50°C
- Protection rating: IP 33
- Proximity reader: RFID 125kHz





# ESPAS 20-P

The ESPAS20-P automatic pay station is designed to provide stand-alone car park systems with a device allowing autonomous system operation 24h without the continuous presence of an operator.

## BASIC COMPONENTS

- Backlit LCD display 20x4
- Multi-language voice synthesis
- Coin acceptor and change giver for up to 6 coin sizes
- Note acceptor and change giver, reads up to 5 note sizes in 4 directions and gives change in one (configurable) size
- Thermal printer for issuing lost tickets or printing reports and receipts
- Motorised ticket reader module which prints the receipt on the ticket
- Cash boxes, removable only with a security key
- Heater and pressure ventilation system with electronic temperature control

## OPTIONAL COMPONENTS

- digital intercom
- analogue intercom
- credit card reader

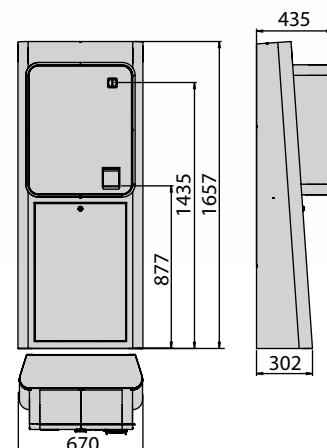
## SPECIAL VERSIONS

- ESPAS 20-P HR of size meeting disabled standards (670x 438x 1498 LxWxH)
- ESPAS 20-P PAPER ROLL with paper-roll tickets



## SPECIFICATIONS

- Power supply: 230 Vac/50Hz
- Current absorption in operation: 200 W
- Current absorption when idle: 70 W
- Material: galvanised steel structure, RAL7015 painted
- Weight: 90 Kg
- Operating temperature: from -20°C to +50°C
- Display: Backlit 20x4 LCD
- Coin change giver container capacity: 6 tubes of 50 coins each and 2 additional 350-coin hoppers
- Note change giver container capacity: 30 pcs



## ESPAS 20-T

The ESPAS20-T desktop validator is an all in one device offering all the functions of a manned station without wiring or the use of a PC. The validator is designed to meet the needs of small and medium-sized car parks requiring a device that is easy to install, configure and maintain.

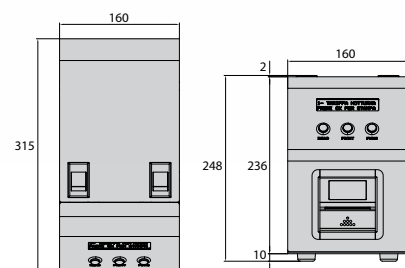
### BASIC COMPONENTS

- Backlit alphanumeric display showing the price to be paid
- Built-in optical module for 2D barcode reading
- 3 function keys for settings and printing tickets for:
  - one entry and one exit
  - unlimited access for a given period
  - exiting the car park after a given number of hours
- Upper opening for replacing tickets and cleaning the printer



### SPECIFICATIONS

- Power supply: 230 Vac/50Hz
- Power input: 70 VA
- Weight: 4 Kg
- Operating temperature: from 0°C to +50°C



## INTERCOM SYSTEM



### Analogue intercom

Comprising a desktop console and capsules integrated in the entry and exit posts and the automatic pay stations.

### Digital intercom system

Comprising a desktop console and capsules integrated in the entry and exit posts and the automatic pay stations. Through a special expansion device, the digital system transfers calls to landlines and mobile phones and remotely opens the car park exit points in the event of an emergency.

## LANE TRAFFIC LIGHTS



Ultra-bright 2-light traffic light, 230Vac to control transit through the entry and exit points.

It can be connected directly to the ESPAS20 stations or to the Capacity Kit to manage alternating one-way systems.

## VACANT/FULL TRAFFIC LIGHT PANEL



Illuminated panel indicating car park space availability. It has red and green traffic lights. Backlit panel for night-time visibility.

## DETECTOR PANEL



The detector panel is an accessory to be used with the Capacity Kit for the management of one or two double loops. It comprises a watertight box for external use and an internal 24Vdc power supply.

## TICKETS (PACKS)



Packs of thermal paper tickets in fanfold format (54mm x 80mm) with gaps, 4000 or 5000 pieces. Customisation with advertising messages on the non-thermal side of the ticket is possible.

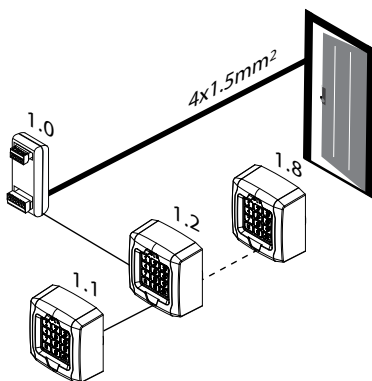
## TICKETS (ROLLS)



Rolls of thermal paper, width 54 mm for printing approx. 4000 tickets, each 8 cm long.



# AXXEDO



An ESPAS30 installation can be implemented with the management of pedestrian entry points, using the Axxedo system. Using the Axxedo Q.bo DC peripheral readers, and a stand-alone Axxedo control peripheral, the manager can allow customers and operators to access reserved areas of the system.

## AXXEDO Q.BO DC

The Axxedo Q.bo DC is a peripheral reader that enables transit through an access point. Possibility of accessing the entry point using a badge, typing in a PIN code or using both methods.

### SPECIFICATIONS

- proximity reader 125 KHz
- 12-button backlit capacitive keypad
- high-efficiency multi-tone buzzer
- built-in ambient light sensor
- connection to the AXXEDO NET network
- power supply 12 to 24 Vac/Vdc  $\pm$  15%
- protection rating IP55

## AXXEDO STAND ALONE

Stand-alone control unit that memorises up to 400 different PIN codes, manages one access point and 4 Q.bo DC access peripherals. A device with master/slave operation, recess mounted in a standard junction box

### SPECIFICATIONS

- Control unit with 1 input and 1 relay output
- 1 opto-isolated input for access point release
- 1 2A 30Vdc max relay output with programmable functions
- Pre-arrangement for modular connections
- Connection to the AXXEDO NET network

## AXXEDO SLOT PLUS

A USB accessory for connecting to the PC where the parking system management software is installed, for reading RFID cards and speeding up season ticket issue, and direct communication with Axxedo Q.bo DC.

The version with PC communication only (Axxedo Slot) is also available.

### SPECIFICATIONS

Compatible with Windows XP, Windows Vista, Windows7 (32 or 64 bit), Windows 8 (32 or 64 bit)

# CENTRALISED AXXEDO



Axxedo, with the Axxedo Cerebro advanced control unit, is a modular access control system that is safe and easy to use thanks to the Axxedo soft management software.

## AXXEDO CEREBRO

the brain of the Axxedo system: an advanced control unit that autonomously manages all the information from the Axxedo peripherals, also working off-line thanks to Windows CE software and a built-in SD card. The control unit comes with a free version of the Axxedo Soft management software to manage up to 4 access points; additional access points are managed through the Axxedo scratch card.

- Management of 1 to 32 two-way gates
- Management in autonomous mode of up to 32,000 users and 32,000 events
- Communication on AXXEDO NET line to bus on free type without polarity with AXXEDO peripheral identification with dual address (primary and secondary)

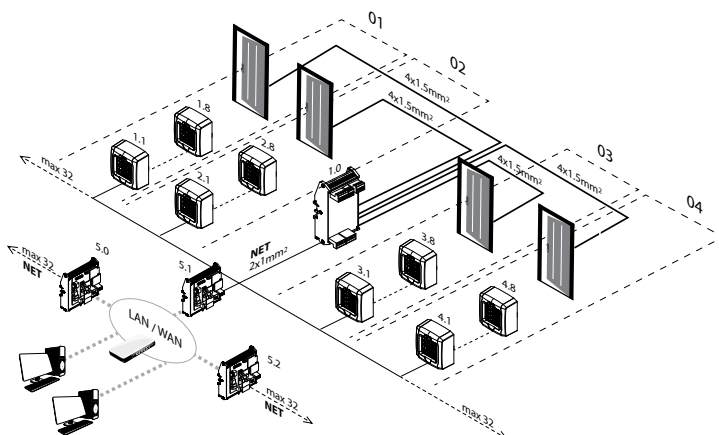
## AXXEDO MODULE

The AXXEDO MODULE peripheral device has 4 opto-isolated inputs and 4 relay outputs that allow the opening of gates managed by the access control system, monitoring their status and local signalling of any alarms.

- 4 opto-isolated inputs with programmable functions
- Container for housing on DIN rail
- Connection to the AXXEDO NET network

## AXXEDO SCRATCH CARD

The secret code contained in the scratch card is for implementing the number of access points of a system, with the Axxedo scratch card system management can be expanded in blocks of 4 or 16 access points.



# Team up with us: be ahead!

Advanced solutions, with unique and exclusive features. But also simple, accessible, and close to people. New-generation technologies designed to improve the lives of all: installers and those who use them.

This is us today: a company focused on the needs of the present, with an eye to the future. A professional and understanding company, able to take its partners by the arm and, thanks to a full access specialist approach, make them proceed at that dynamic pace allowing them to always be in the forefront. A company where the technical component is supported by the power of passion, and where engineering expertise is completed by the brilliance of keen inventiveness. Because we like to listen to you, understand you, address your needs and offer new opportunities; always giving you the best, with increasingly sophisticated tools designed to enhance performance. A fast and smart technology, always accelerating: to advance at the pace of innovation and, together with you, always be a step ahead.



## **Bft Spa**

Via Lago di Vico, 44 - 36015 Schio (VI) ITALY  
T. +39 0445 696511 - F. +39 0445 69 65 22 - [info@bft.it](mailto:info@bft.it)

[www.bft-automation.com](http://www.bft-automation.com)



Be ahead